

## Joints BBSG/BCSG

### PRODUCT DESCRIPTION

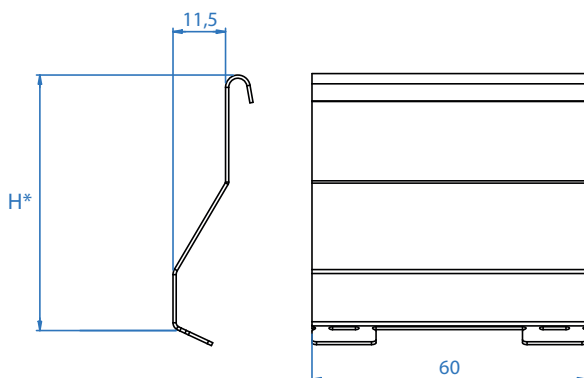


Bordertec joints for painted aluminum BBS and BCS models are more adjustable to installation.

Thanks to the new design, they can be installed even after the profiles are in place, allowing for greater flexibility in installation time and accuracy.

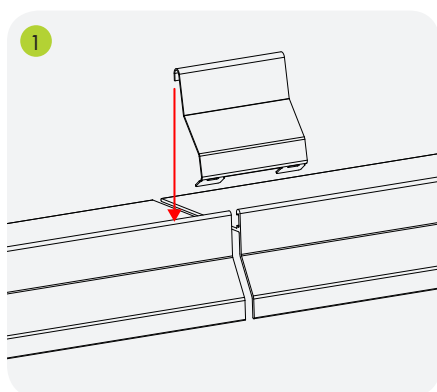
Once the Bordertec profiles are installed, hook the joints between the profiles. Fix them to the bottom edge of the borders by folding in the fastening tabs.

### TECHNICAL DRAWINGS

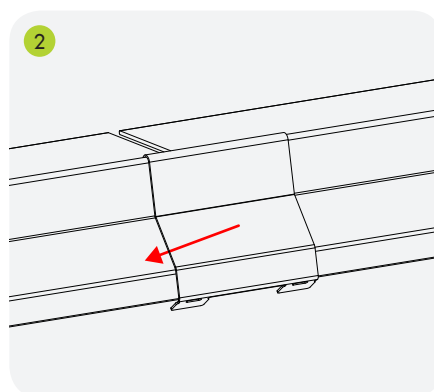


Art.	H* = mm	H* = in
BBSG/BCSG 42	42	1-21/32
BBSG/BCSG 55	55	2-3/16
BBSG/BCSG 75	75	3
BBSG/BCSG 95	95	3-3/4

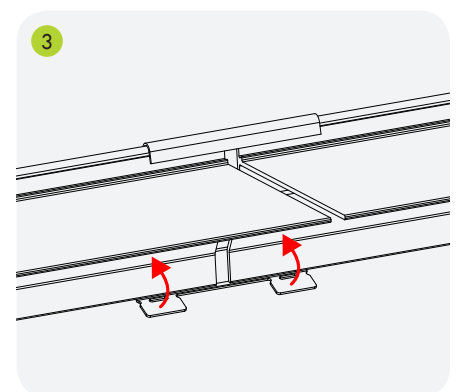
### INSTALLATION INSTRUCTIONS



1 Place the upper side of the joint on the outer edge of the two profiles placed side by side.



2 Overlap the joint with the profiles to hide the gap between them.



3 Fold the two tabs on the lower edge of the joint to fix it.

## TECHNICAL FEATURES - BBSG/BCSG

Art.	H= 42mm   1-21/32"	H= 55mm   2-3/16"	H= 75mm   3"	H= 95mm   3-3/4"	pz
BBSG/BCSG 42	•	–	–	–	10
BBSG/BCSG 55	–	•	–	–	10
BBSG/BCSG 75	–	–	•	–	10
BBSG/BCSG 95	–	–	–	•	10

The updated junction will bear the inscription "NEW DESIGN" and will progressively replace the previous model, which is still valid and functional.

### AVAILABLE FINISHES



**IL**

Polished Stainless Steel



**A11**

Pure White



**A24**

Embossed Pastel Grey



**A22**

Pastel Grey



**A25**

Embossed Cement Grey



**A32**

Dark Beige



**A50**

Embossed Micaceous



**A62**

Red Brown



**A60**

Embossed Corten



**A63**

Dark Brown



**A64**

Embossed Dark Brown

Profilitec S.p.A.  
Via Scotte, 3 - 36033 Isola Vicentina (Vicenza), ITALY  
Tel: +39 0444 268311  
e-mail: [profilitec@profilitec.com](mailto:profilitec@profilitec.com) (ITA)

Profilitec Corp.  
472 Meeting Street, Suite C, No. 301 -  
Charleston, SC 29403, USA  
Ph: +1 855 290 9591  
e-mail: [customerservice@profilitec.com](mailto:customerservice@profilitec.com)

 **profilitec**  
positive profile